



US010025841B2

(12) **United States Patent**
Schrempp et al.

(10) **Patent No.:** **US 10,025,841 B2**

(45) **Date of Patent:** ***Jul. 17, 2018**

(54) **PLAY LIST GENERATION METHOD AND APPARATUS**

(71) Applicant: **Audible Magic Corporation**, Los Gatos, CA (US)

(72) Inventors: **James B. Schrempp**, Saratoga, CA (US); **Vance Ikezo**, Los Gatos, CA (US); **Erling H. Wold**, El Cerrito, CA (US); **Thomas L. Blum**, San Francisco, CA (US); **Douglas F. Keislar**, Berkeley, CA (US); **James A. Wheaton**, Sebastopol, CA (US)

(73) Assignee: **Audible Magic, Inc.**, Los Gatos, CA (US)

(*) Notice: Subject to any disclaimer, the term of this patent is extended or adjusted under 35 U.S.C. 154(b) by 0 days.
This patent is subject to a terminal disclaimer.

(21) Appl. No.: **14/610,983**

(22) Filed: **Jan. 30, 2015**

(65) **Prior Publication Data**

US 2015/0154273 A1 Jun. 4, 2015

Related U.S. Application Data

(63) Continuation of application No. 09/910,680, filed on Jul. 20, 2001, now Pat. No. 8,972,481.

(51) **Int. Cl.**

G06F 15/16 (2006.01)
G06F 17/30 (2006.01)

(Continued)

(52) **U.S. Cl.**

CPC .. **G06F 17/30575** (2013.01); **G06F 17/30743** (2013.01); **G10L 15/26** (2013.01);
(Continued)

(58) **Field of Classification Search**

CPC H04N 7/16; H04L 67/16; H04L 69/329
See application file for complete search history.

(56) **References Cited**

U.S. PATENT DOCUMENTS

2,539,767 A 1/1951 Anderson
3,919,479 A 11/1975 Moon et al.
(Continued)

FOREIGN PATENT DOCUMENTS

EP 0349106 1/1990
EP 0402210 6/1990
(Continued)

OTHER PUBLICATIONS

Albert, Douglas, et al., "Combating Software Piracy by encryption and key management," IEEE Computer Society, vol. 17. No. 4, Apr. 1984, 6 pages.

(Continued)

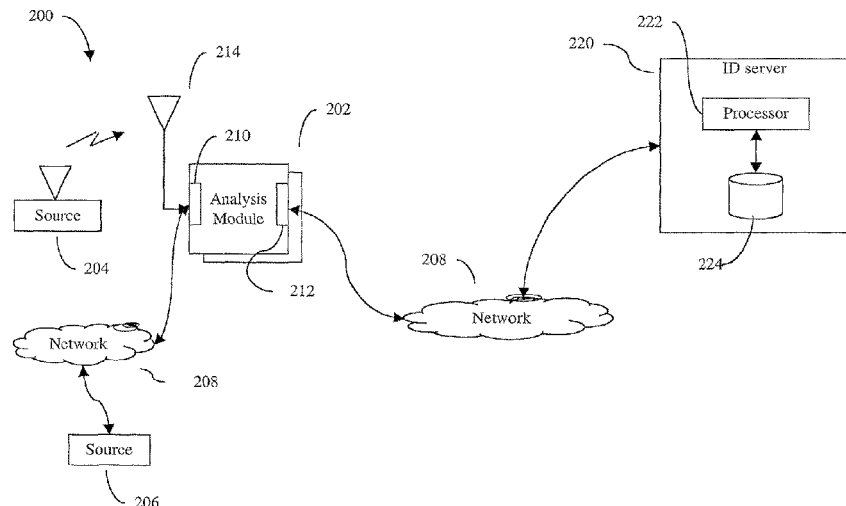
Primary Examiner — Dhairya A Patel

(74) *Attorney, Agent, or Firm* — Lowenstein Sandler LLP

(57) **ABSTRACT**

A method and system for playlist generation is disclosed. In one aspect, the system may include at least one analysis module for receiving and analyzing an unknown work and generating a corresponding representation thereof, and at least one identification (ID) server for receiving the representation from the analysis modules and determining the identity of the unknown work.

17 Claims, 5 Drawing Sheets



(51)	Int. Cl.				6,253,193 B1	6/2001	Ginter	
	H04N 7/16	(2011.01)			6,253,337 B1	6/2001	Maloney et al.	
	H04N 21/254	(2011.01)			6,279,010 B1	8/2001	Anderson	
	H04L 29/08	(2006.01)			6,279,124 B1*	8/2001	Brouwer	G06F 11/263 714/38.11
	G10L 15/26	(2006.01)						
(52)	U.S. Cl.				6,285,596 B1	9/2001	Miura et al.	
	CPC	G10L 15/265 (2013.01); H04L 67/16			6,330,593 B1	12/2001	Roberts et al.	
		(2013.01); H04N 7/16 (2013.01); H04N			6,345,256 B1	2/2002	Milsted et al.	
		21/254 (2013.01); H04L 69/329 (2013.01)			6,345,274 B1	2/2002	Zhu et al.	
					6,360,265 B1	3/2002	Falck et al.	
					6,363,381 B1	3/2002	Lee et al.	
					6,370,513 B1	4/2002	Kolawa et al.	
					6,374,260 B1	4/2002	Hoffert et al.	
(56)	References Cited				6,385,596 B1	5/2002	Wiser	
	U.S. PATENT DOCUMENTS				6,418,421 B1	7/2002	Hurtado et al.	
					6,422,061 B1	7/2002	Sunshine	
	4,230,990 A *	10/1980	Lert, Jr.	G06K 9/00711 348/473	6,425,081 B1	7/2002	Iwamura	
	4,449,249 A	5/1984	Price		6,434,520 B1	8/2002	Kanevsky et al.	
	4,450,531 A	5/1984	Kenyon		6,438,556 B1	8/2002	Malik et al.	
	4,454,594 A	6/1984	Hefron et al.		6,449,226 B1	9/2002	Kumagai	
	4,623,837 A	11/1986	Efron et al.		6,452,874 B1	9/2002	Otsuka et al.	
	4,677,455 A	6/1987	Okajima		6,453,252 B1	9/2002	Laroche	
	4,677,466 A *	6/1987	Lert, Jr.	G06K 9/00711 348/E7.024	6,460,050 B1	10/2002	Pace et al.	
	4,739,398 A	4/1988	Thomas et al.		6,463,508 B1	10/2002	Wolf et al.	
	4,843,562 A *	6/1989	Kenyon	G06K 9/00523 702/73	6,477,704 B1	11/2002	Cremia	
	4,918,730 A	4/1990	Schulze		6,487,641 B1	11/2002	Cusson et al.	
	5,210,820 A *	5/1993	Kenyon	G06K 9/00496 704/200	6,490,279 B1	12/2002	Chen et al.	
	5,247,688 A	9/1993	Ishigami		6,496,802 B1	12/2002	van Zoest et al.	
	5,283,819 A	2/1994	Glick		6,526,411 B1	2/2003	Ward	
	5,327,521 A	7/1994	Savic et al.		6,542,869 B1	4/2003	Foote	
	5,437,050 A	7/1995	Lamb et al.		6,550,001 B1	4/2003	Corwin et al.	
	5,442,645 A	8/1995	Ugon		6,550,011 B1	4/2003	Sims, III	
	5,504,518 A	4/1996	Ellis		6,552,254 B2	4/2003	Hasegawa et al.	
	5,581,658 A	12/1996	O'Hagan et al.		6,570,991 B1	5/2003	Scheirer et al.	
	5,588,119 A	12/1996	Vincent		6,591,245 B1	7/2003	Klug	
	5,612,974 A	3/1997	Astrachan		6,609,093 B1	8/2003	Gopinath et al.	
	5,613,004 A	3/1997	Cooperman et al.		6,609,105 B2	8/2003	van Zoest et al.	
	5,612,729 A	5/1997	Ellis et al.		6,628,737 B1	9/2003	Timus	
	5,638,443 A	6/1997	Stefik		6,636,965 B1	10/2003	Beyda	
	5,692,213 A	11/1997	Goldberg et al.		6,654,757 B1	11/2003	Stern	
	5,701,452 A	12/1997	Siefert		6,675,174 B1	1/2004	Bolle et al.	
	5,710,916 A	1/1998	Barbara et al.		6,690,835 B1	2/2004	Brockmeyer et al.	
	5,758,257 A	2/1998	Herz et al.		6,714,921 B2	3/2004	Stefik et al.	
	5,724,605 A	3/1998	Wissner		6,732,180 B1	5/2004	Hale	
	5,732,193 A	3/1998	Aberson		6,735,699 B1	5/2004	Sasaki et al.	
	5,790,691 A	8/1998	Narayanswamy et al.		6,763,069 B1	7/2004	Divakaran et al.	
	5,850,388 A	12/1998	Anderson		6,771,316 B1	8/2004	Iggulden	
	5,862,260 A	1/1999	Rhoads		6,771,885 B1	8/2004	Agnihotri et al.	
	5,881,182 A	3/1999	Fiete et al.		6,788,800 B1	9/2004	Carr et al.	
	5,918,223 A	6/1999	Blum et al.		6,834,308 B1	12/2004	Ikezoye et al.	
	5,924,071 A	7/1999	Morgan et al.		6,868,440 B1*	3/2005	Gupta	G06F 17/30017 348/E7.071
	5,930,369 A	7/1999	Cox et al.		6,947,909 B1	9/2005	Hoke, Jr.	
	5,930,749 A	7/1999	Maes		6,968,337 B2	11/2005	Wold	
	5,943,422 A	8/1999	Van Wie et al.		6,990,453 B2	1/2006	Wang et al.	
	5,949,885 A	9/1999	Leighton		7,043,536 B1	5/2006	Philyaw	
	5,959,659 A	9/1999	Dokic		7,047,241 B1	5/2006	Erickson et al.	
	5,983,176 A	11/1999	Hoffert et al.		7,058,223 B2	6/2006	Cox et al.	
	6,006,183 A	12/1999	Lai et al.		7,181,398 B2	2/2007	Thong et al.	
	6,006,256 A	12/1999	Zdepski et al.		7,194,752 B1	3/2007	Kenyon et al.	
	6,011,758 A	1/2000	Dockes		7,228,293 B2	6/2007	DeTreville	
	6,012,051 A	1/2000	Sammon et al.		7,263,205 B2	8/2007	Lev	
	6,026,411 A	2/2000	Delp		7,266,645 B2	9/2007	Garg et al.	
	6,026,439 A	2/2000	Chowdhury		7,269,556 B2	9/2007	Kiss et al.	
	6,044,402 A	3/2000	Jacobson		7,281,272 B1	10/2007	Rubin et al.	
	6,067,369 A	5/2000	Kamei		7,289,643 B2	10/2007	Brunk et al.	
	6,067,517 A	5/2000	Bahl et al.		7,349,552 B2	3/2008	Levy et al.	
	6,088,455 A	7/2000	Logan et al.		7,363,278 B2	4/2008	Schmelzer et al.	
	6,092,040 A	7/2000	Voran		7,424,747 B2	9/2008	DeTreville	
	6,096,961 A	8/2000	Bruti		7,426,750 B2	9/2008	Cooper et al.	
	6,118,450 A	9/2000	Proehl et al.		7,443,797 B2	10/2008	Cheung et al.	
	6,192,340 B1	2/2001	Abecassis		7,474,759 B2	1/2009	Sternberg et al.	
	6,195,693 B1	2/2001	Berry		7,500,007 B2	3/2009	Ikezoye et al.	
	6,229,922 B1	5/2001	Sasakawa et al.		7,529,659 B2	5/2009	Wold	
	6,243,615 B1	6/2001	Neway		7,546,120 B1	6/2009	Ulvenes et al.	
	6,243,725 B1	6/2001	Hempleman et al.		7,562,012 B1	7/2009	Wold	
					7,565,327 B2	7/2009	Schmelzer	
					7,593,576 B2	9/2009	Meyer et al.	
					7,613,686 B2	11/2009	Rui	

(56)		References Cited					
U.S. PATENT DOCUMENTS				2003/0135623	A1	7/2003	Schrempp et al.
				2003/0191719	A1	10/2003	Ginter et al.
				2003/0191764	A1	10/2003	Richards
				2003/0195852	A1	10/2003	Campbell et al.
				2003/0223554	A1*	12/2003	Zhang G06Q 99/00 379/93.12
7,630,562	B2	12/2009	Gong et al.	2004/0008864	A1	1/2004	Watson et al.
7,653,210	B2	1/2010	Rhoads	2004/0010495	A1	1/2004	Kramer et al.
7,701,941	B2	4/2010	O'Callaghan et al.	2004/0028281	A1	2/2004	Cheng et al.
7,707,088	B2	4/2010	Schmelzer et al.	2004/0053654	A1	3/2004	Kokumai et al.
7,711,652	B2	5/2010	Schmelzer et al.	2004/0073513	A1	4/2004	Steffik et al.
7,770,013	B2	8/2010	Rhoads et al.	2004/0089142	A1	5/2004	Georges et al.
7,797,249	B2	9/2010	Schmelzer et al.	2004/0133797	A1	7/2004	Arnold
7,853,664	B1	12/2010	Wang et al.	2004/0148191	A1	7/2004	Hoke, Jr.
7,877,438	B2	1/2011	Schrempp et al.	2004/0163106	A1	8/2004	Schrempp et al.
7,917,645	B2	3/2011	Ikezoye et al.	2004/0167858	A1	8/2004	Erickson
8,006,314	B2	8/2011	Wold	2004/0199387	A1	10/2004	Wang et al.
8,082,150	B2	12/2011	Wold	2004/0201784	A9	10/2004	Dagtas et al.
8,086,445	B2	12/2011	Wold	2005/0021783	A1	1/2005	Ishii
8,112,818	B2	2/2012	Wold	2005/0038819	A1	2/2005	Hicken et al.
8,122,339	B2	2/2012	Bastos Dos Santos et al.	2005/0039000	A1	2/2005	Erickson
8,130,746	B2	3/2012	Schrempp et al.	2005/0044189	A1	2/2005	Ikezoye et al.
8,199,651	B1	6/2012	Schrempp et al.	2005/0097059	A1	5/2005	Shuster
8,316,238	B2	11/2012	Mergen et al.	2005/0141707	A1	6/2005	Haitsma et al.
8,332,326	B2	12/2012	Schrempp et al.	2005/0154678	A1	7/2005	Schmelzer
8,458,156	B1	6/2013	Sharifi et al.	2005/0154680	A1	7/2005	Schmelzer
8,472,669	B2	6/2013	Sharma	2005/0154681	A1	7/2005	Schmelzer
8,484,691	B2	7/2013	Schmelzer et al.	2005/0216433	A1	9/2005	Bland et al.
8,645,279	B2	2/2014	Schmelzer	2005/0267945	A1	12/2005	Cohen et al.
8,732,858	B2	5/2014	Wold	2005/0289065	A1	12/2005	Weare
8,775,317	B2	7/2014	Schmelzer	2006/0034177	A1	2/2006	Schrempp
8,843,952	B2	9/2014	Pora et al.	2006/0062426	A1	3/2006	Levy et al.
8,886,635	B2	11/2014	Cho et al.	2007/0033409	A1	2/2007	Brunk et al.
8,972,481	B2	3/2015	Schrempp et al.	2007/0074147	A1	3/2007	Wold
2001/0013061	A1	8/2001	DeMartin	2007/0078769	A1	4/2007	Way et al.
2001/0027493	A1	10/2001	Wallace	2007/0186229	A1	8/2007	Conklin et al.
2001/0027522	A1	10/2001	Saito	2007/0226365	A1	9/2007	Hildreth et al.
2001/0034219	A1	10/2001	Hewitt et al.	2007/0271248	A1	11/2007	Albernoz et al.
2001/0037304	A1	11/2001	Paiz	2008/0008173	A1	1/2008	Kanevsky et al.
2001/0041989	A1	11/2001	Vilcauskas et al.	2008/0019371	A1	1/2008	Anschutz et al.
2001/0051996	A1	12/2001	Cooper et al.	2008/0133415	A1	6/2008	Ginter et al.
2001/0056430	A1	12/2001	Yankowki	2008/0141379	A1	6/2008	Schmelzer
2002/0002899	A1	1/2002	Gjerdingen et al.	2008/0154730	A1	6/2008	Schmelzer
2002/0019858	A1*	2/2002	Kaiser G06F 17/30029 709/219	2008/0155116	A1	6/2008	Schmelzer
2002/0023220	A1	2/2002	Kaplan	2008/0250080	A1	10/2008	Arrasvuori et al.
2002/0037083	A1	3/2002	Weare et al.	2009/0030651	A1	1/2009	Wold
2002/0042754	A1*	4/2002	Del Beccaro G06Q 30/02 705/26.35	2009/0031326	A1	1/2009	Wold
2002/0049760	A1	4/2002	Scott	2009/0043870	A1	2/2009	Ikezoye et al.
2002/0064149	A1	5/2002	Elliott et al.	2009/0077673	A1	3/2009	Schmelzer
2002/0069098	A1	6/2002	Schmidt	2009/0089586	A1	4/2009	Brunk
2002/0073316	A1	6/2002	Collins et al.	2009/0131152	A1	5/2009	Busse
2002/0082999	A1	6/2002	Lee	2009/0132391	A1	5/2009	Jacobs
2002/0083060	A1	6/2002	Wang et al.	2009/0192640	A1	7/2009	Wold
2002/0087885	A1	7/2002	Peled et al.	2009/0240361	A1	9/2009	Wold et al.
2002/0120577	A1	8/2002	Hans et al.	2009/0306966	A1	12/2009	Hejna, Jr.
2002/0123990	A1	9/2002	Abe et al.	2009/0328236	A1	12/2009	Schmelzer
2002/0129140	A1	9/2002	Peled et al.	2010/0042843	A1	2/2010	Brunk
2002/0133494	A1	9/2002	Goedken	2010/0104259	A1	4/2010	Shakya et al.
2002/0133499	A1	9/2002	Ward et al.	2010/0281042	A1	11/2010	Windes et al.
2002/0141384	A1	10/2002	Liu et al.	2010/0290667	A1	11/2010	Lienhart et al.
2002/0152261	A1	10/2002	Arkin et al.	2010/0290867	A1	11/2010	Leinhart et al.
2002/0152262	A1	10/2002	Arkin et al.	2011/0066489	A1	3/2011	Gharaat et al.
2002/0156737	A1	10/2002	Kahn	2011/0078719	A1	3/2011	Kenyon et al.
2002/0157005	A1	10/2002	Brunk et al.	2011/0119149	A1	5/2011	Ikezoye et al.
2002/0158737	A1	10/2002	Yokoyama	2012/0124679	A1	5/2012	Wold
2002/0178410	A1	11/2002	Haitsma et al.	2012/0318071	A1	12/2012	Biehl et al.
2002/0184517	A1	12/2002	Tadayon et al.	2013/0011008	A1	1/2013	Ikezoye et al.
2002/0186887	A1	12/2002	Rhoads	2013/0159021	A1	6/2013	Felsher
2002/0198789	A1	12/2002	Waldman	2013/0318071	A1	11/2013	Cho et al.
2003/0014530	A1	1/2003	Bodin	FOREIGN PATENT DOCUMENTS			
2003/0018709	A1	1/2003	Schrempp et al.	EP	0517405	5/1992	
2003/0023852	A1	1/2003	Wold	EP	0689316	12/1995	
2003/0033321	A1	2/2003	Schrempp et al.	EP	0731446	9/1996	
2003/0037010	A1	2/2003	Schmelzer et al.	EP	0859503	8/1998	
2003/0061352	A1	3/2003	Bohrer	EP	0459046	4/1999	
2003/0061490	A1	3/2003	Abajian	EP	1354276	12/2007	
2003/0051100	A1	5/2003	Patel	EP	1485815	10/2009	
2003/0095660	A1	5/2003	Lee et al.				
2003/0105739	A1	6/2003	Essafi et al.				

(56)

References Cited

FOREIGN PATENT DOCUMENTS

EP	177191	2/2012
EP	1449103	3/2012
EP	1492767	6/2014
GB	2464049	12/2012
WO	WO 96/36163	11/1996
WO	WO 98/20672	5/1998
WO	WO 00/05650	2/2000
WO	WO 00/39954	7/2000
WO	WO 00/63800	10/2000
WO	WO 01/23981	4/2001
WO	WO 01/47179	6/2001
WO	WO 01/52540	7/2001
WO	WO 2001/062004	8/2001
WO	WO 02/03203	1/2002
WO	WO 02/15035	2/2002
WO	WO 2002/027600	4/2002
WO	WO 02/037316	5/2002
WO	WO 02/082271	10/2002
WO	WO 02/086803	10/2002
WO	WO 03/009149	1/2003
WO	WO 03/036496	5/2003
WO	WO 03/067459	8/2003
WO	WO 03/091990	11/2003
WO	WO 04/044820	5/2004
WO	WO 2003/007235	7/2004
WO	WO 04/070558	8/2004
WO	WO 06/015168	2/2006
WO	WO 09/017710	2/2009

OTHER PUBLICATIONS

Audible Magic Corporation, "Audio Identification Technology Provides The Cornerstone for Online Distribution," 2000, http://www.audiblemagic.com/documents/Technology_Summary.pdf.

Baum, L., et al., "A Maximization Technique Occurring in the Statistical Analysis of Probabilistic Functions of Markov Chains," *The Annals of Mathematical Statistics*, vol. 41, No. 1, pp. 164-171, 1970.

Beritelli, F., et al., "Multilayer Chaotic Encryption for Secure Communications in packet switching Networks," *IEEE*, vol. 2Aug. 2000, pp. 1575-1582.

Blum, T., Keislar, D., Wheaton, J., and Wold, E., "Audio Databases with Content-Based Retrieval," Proceedings of the 1995 International Joint Conference on Artificial Intelligence (IJCAI) Workshop on Intelligent Multimedia Information Retrieval, 1995.

Breslin, Pat, et al., Relatable Website, "Emusic uses Relatable's open source audio recognition solution, TRM, to signature its music catablog for MusicBrainz database," <http://www.relatable.com/news/pressrelease/001017.release.html>, Oct. 17, 2000.

Business Wire, "Cisco and Fox Host Groundbreaking Screening of Titan A.E.; Animated Epic Will Be First Film Ever to be Digitally Transmitted Over the Internet Monday," Jun. 5, 2000, 08:14 EDT. Business Wire, "IBM: IBM Announces New Descrambler Software; First to Offer Software to Work With Digital Video Chips," Jun. 5, 25, 1997, 07:49.

Chen, et al., Yong-Cong, A Secure and Robust Digital Watermarking Technique by the Block Cipher RC6 and Secure Hash Algorithm, Department of Computer Science, National Tsing Hua University, 2001.

Cosi, P., De Poli, G., Prandoni, P., "Timbre Characterization with Mel-Cepstrum and Neural Nets," Proceedings of the 1994 International Computer Music Conference, pp. 42-45, San Francisco, No date.

Dempster, A.P., et al., "Maximum Likelihood from Incomplete Data via the EM Algorithm" *Journal of the Royal Statistical Society, Series B (Methodological)*, vol. 39, Issue 1, pp. 31-38, 1977.

Feiten, B. and Gunzel, S., "Automatic Indexing of a Sound Database Using Self-Organizing Neural Nets," *Computer Music Journal*, 18:3, pp. 53-65, Fall 1994.

Fischer, S., Lienhart, R., and Effelsberg, W., "Automatic Recognition of Film Genres," Reihe Informatik, Jun. 1995, Universitat Mannheim, Praktische Informatik IV, L15, 16, D-68131 Mannheim.

Foote, J., "A Similarity Measure for Automatic Audio Classification," Institute of Systems Science, National University of Singapore, 1977, Singapore.

Gasaway Laura, Close of Century Sees New Copyright Amendments, Mar. 200, *Information Outlook*, 4, 3, 42.

Gonzalez, R. and Melih, K., "Content Based Retrieval of Audio," The Institute for Telecommunication Research, University of Wollongong, Australia. ATNAC '96 Proceedings.

Haitsma, J., et al., "Robust Audio Hashing for Content Identification", CBMI 2001, Second International Workshop on Content Based Multimedia and Indexing, Brescia, Italy, Sep. 19-21, 2001.

Harris, Lesley Ellen, "To register or not," Mar. 2006, *Information Outlook*, 10, 3, 32(s).

Kanth, K.V. et al. "Dimensionality Reduction or Similarity Searching in Databases," *Computer Vision and Image Understanding*, vol. 75, Nos. 1/2 Jul./Aug. 1999, pp. 59-72, Academic Press. Santa Barbara, CA, USA.

Keislar, D., Blum, T., Wheaton, J., and Wold, E., "Audio Analysis for Content-Based Retrieval" Proceedings of the 1995 International Computer Music Conference.

Lin, et al., "Generating Robust Digital Signature for Image/Video Authentication," Proc. Multimedia and Security workshop at ACM Multimedia'98, Sep. 1, 1998, pp. 49-54.

Ohtsuki, K., et al., "Topic extraction based on continuous speech recognition in broadcast-news speech," Proceedings IEEE Workshop on Automated Speech Recognition and Understanding, 1997, pp. 527-534, N.Y., N.Y., USA.

PacketHound Tech Specs, www.palidesys.com/products/packethound/tck specs/prod Phtechsps.html, 2002.

"How does PacketHound work?" www.palidesys.com/products/packethound/how_does_it_work/prod_Pghhow.shtml 2002.

Pankanti, Sharath, "Verification Watermarks on Fingerprint Recognition and Retrieval," Part of IS&T/SPIE Conference on Security and Watermarking of Multimedia Contents, San Jose, CA Jan. 1999, SPIE vol. 3657, pp. 66-78.

Pellom, B. et al., "Fast Likelihood Computation Techniques in Nearest-Neighbor search for Continuous Speech Recognition," *IEEE Signal Processing Letters*, vol. 8, pp. 221-224 Aug. 2001.

Reynolds, D., et al., "Robust Text-Independent Speaker Identification Using Gaussian Mixture Speaker Models", *IEEE Transactions on Speech and Audio Processing*, vol. 3, No. 1, pp. 72-83 Jan. 1995.

Scheirer, E., Slaney, M., "Construction and Evaluation of a Robust Multifeature Speech/Music Discriminator," pp. 1-4, Proceedings of ICASSP-97, Apr. 2-24, Munich, Germany.

Scheirer, E.D., "Tempo and Beat Analysis of Acoustic Musical Signals," Machine Listening Group, E15-401D MIT Media Laboratory, pp. 1-21, Aug. 8, 1997, Cambridge, MA.

Schneier, Bruce, *Applied Cryptography, Protocols, Algorithms and Source Code in C, Chapter 2 Protocol Building Blocks*, 1996, pp. 30-31.

Smith, Alan J., "Cache Memories," *Computer Surveys*, Sep. 1982, University of California, Berkeley, California, vol. 14, No. 3, pp. 1-61.

Vertegaal, R. and Bonis, E., "ISEE: An Intuitive Sound Editing Environment," *Computer Music Journal*, 18:2, pp. 21-22, Summer 1994.

Wang, Yao, et al., "Multimedia Content Analysis," *IEEE Signal Processing Magazine*, pp. 12-36, Nov. 2000, IEEE Service Center, Piscataway, N.J., USA.

Wold, Erling, et al., "Content Based Classification, Search and Retrieval of Audio," *IEEE Multimedia*, vol. 3, No. 3, pp. 27-36, 1996 IEEE Service Center, Piscataway, N.J., USA.

Zawodny, Jeremy, D., "A C Program to Compute CDDB discids on Linux and FreeBSD," [internet] <http://jeremy.zawodny.com/c/discid-linux-1.3tar.gz>, 1 page, Apr. 14, 2001, retrieved Jul. 17, 2007.

European Patent Application No. 02752347.1, Supplementary European Search Report dated May 8, 2006, 4 pages.

European Patent Application No. 02756525.8, Supplementary European Search Report dated Jun. 28, 2006, 4 pages.

(56)

References Cited

OTHER PUBLICATIONS

European Patent Application No. 02782170, Supplementary European Search Report dated Feb. 7, 2007, 4 pages.

European Patent Application No. 02725522.3, Supplementary European Search Report dated May 12, 2006, 2 Pages.

European Patent Application No. 04706547.9 European Search Report dated Feb. 25, 2010, 3 Pages.

European Patent Application No. 05778109.8 European Search Report dated Sep. 10, 2010, 7 Pages.

PCT Search Report PCT/US01/50295, International Search Report dated May 14, 2003, 5 Pages.

PCT Search Report PCT/US02/10615, International Search Report dated Aug. 7, 2002, 5 Pages.

PCT Search Report PCT/US02/33186, International Search Report dated Dec. 16, 2002, 6 Pages.

PCT Search Report PCT/US04/02748, International Search Report and Written Opinion dated Aug. 20, 2007, 8 Pages.

PCT Search Report PCT/US05/26887, International Search Report dated May 3, 2006, 3 Pages.

PCT Search Report PCT/US08/09127, International Search Report dated Oct. 30, 2008, 8 Pages.

International Search Report & Written Opinion dated Apr. 15, 2014, for PCT/US2013/061750.

Kunio Kashino et al, "Robust Search Methods for Music Signals Based on Simple Representation", 2007 IEEE International Conference on Acoustics, Speech, and Signal Processing Apr. 15-20, 2007 Honolulu, HI, USA, Piscataway, NJ, USA, (Oct. 23, 2007), doi:10.1109/ICASSP.2007.367346, ISBN 978-1-4244-0727-9, pp. IV-1421.

Jaap Haitsma et al, "A Highly Robust Audio Fingerprinting System With an Efficient Search Strategy", Journal of New Music Research, Lisse, doi:10.1076/jnmr.32.2.211.16746, (Oct. 17, 2002), pp. 211-221, URL: http://www.cs.northwestern.edu/~pardo/courses/casa2009/casa_papers_2009/papers/audio_fingerprint_haitsma.pdf, (Mar. 18, 2016).

Cong Jin et al, "Applications of digital fingerprinting and digital watermarking for E-commerce security mechanism", Audio, Language and Image Processing, 2008. ICALIP 2008. International Conference on, IEEE, Piscataway, NJ, USA, (Jul. 7, 2008), ISBN 978-1-4244-1723-0, pp. 536-540.

Ron White, How Computers Work, Oct. 15, 2003, Que Publishing, 7th Ed., p. 4.

European Patent Application No. 13840744.0 extended European Search Report dated Sep. 5, 2016, 9 pages.

* cited by examiner

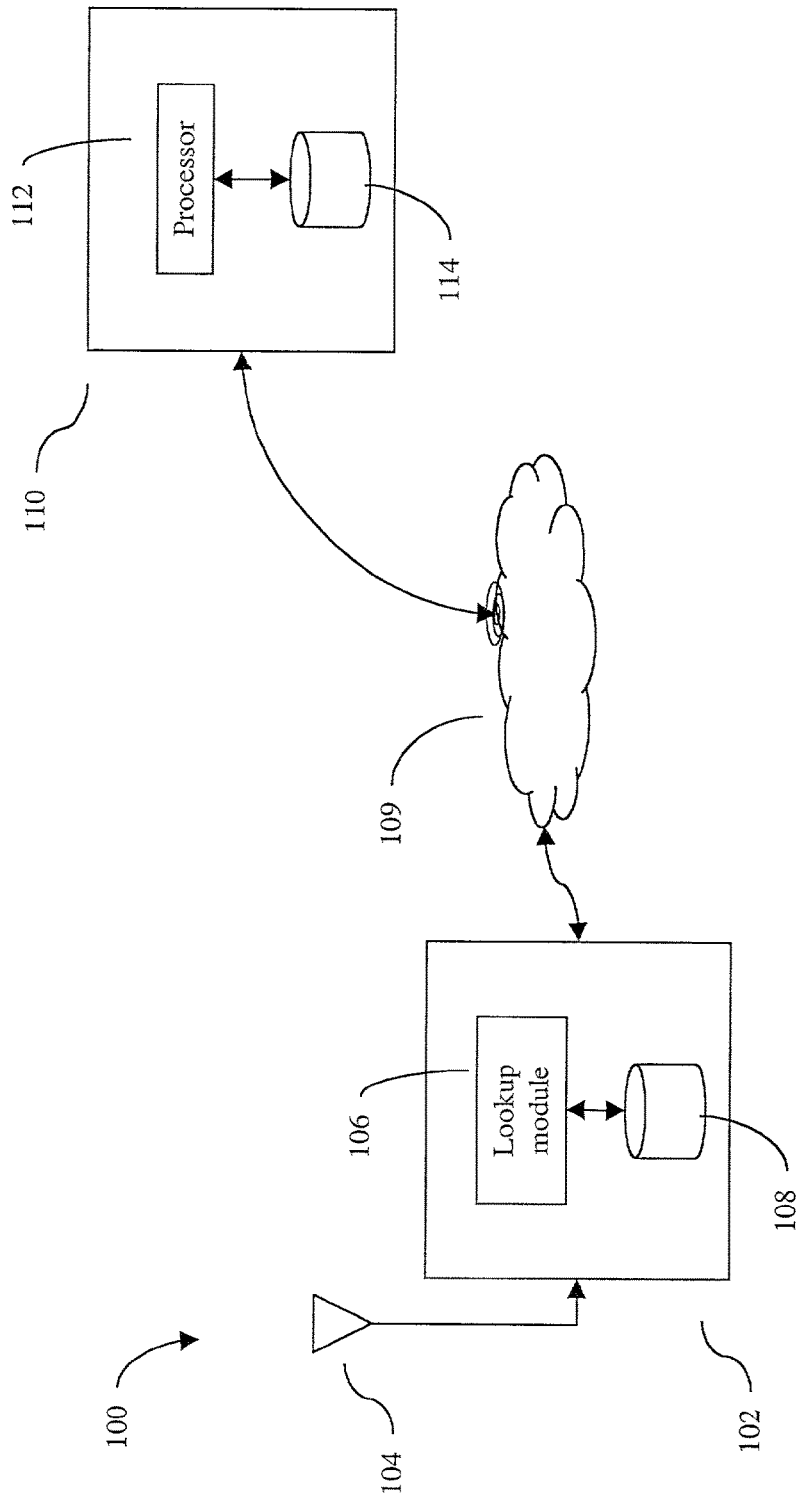


FIG. 1
Prior Art

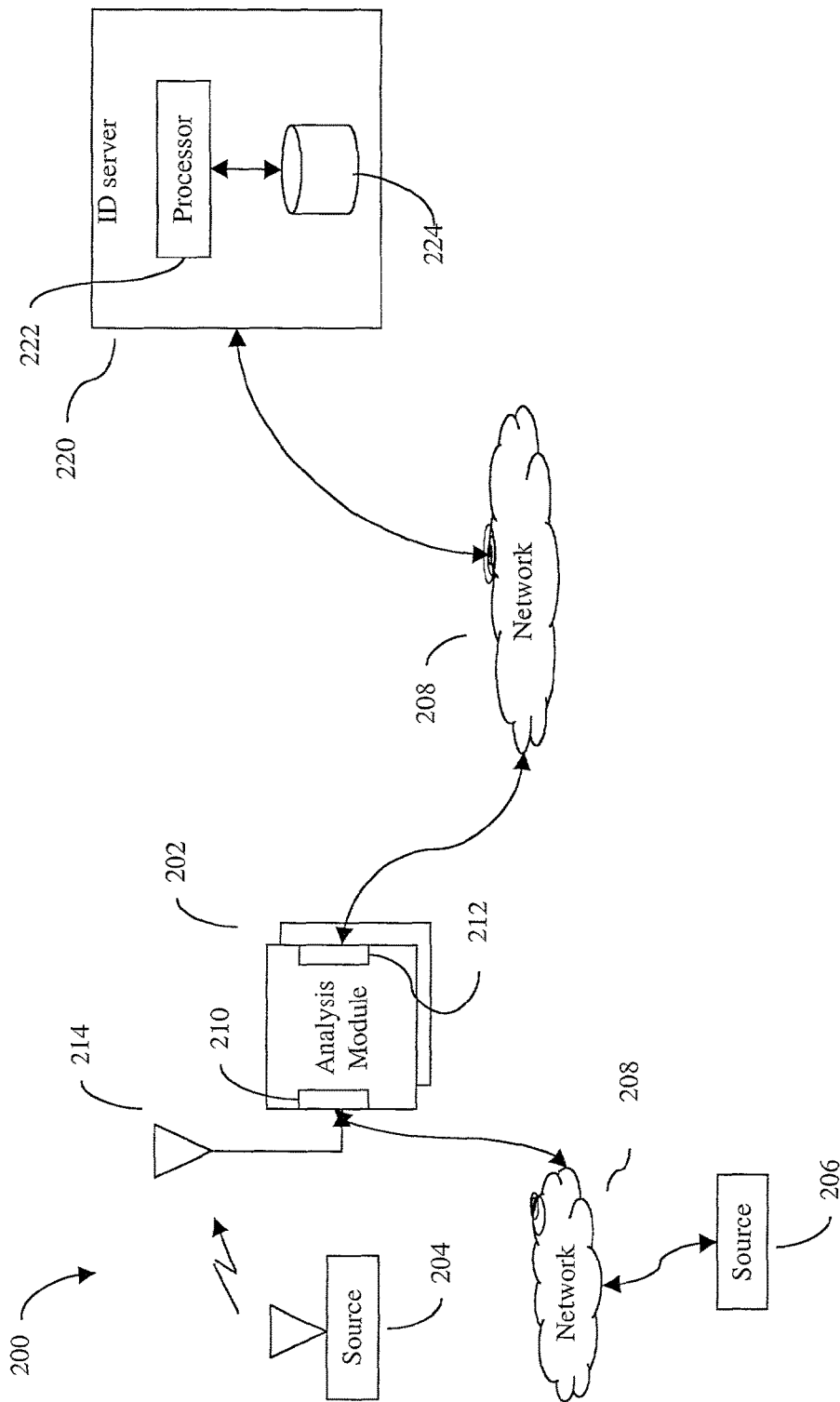


FIG. 2

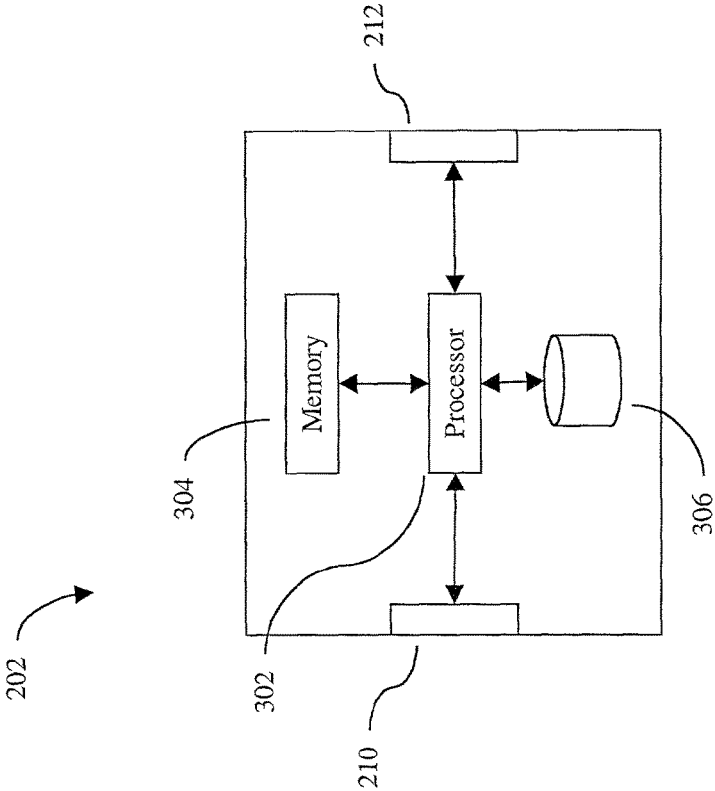


FIG. 3

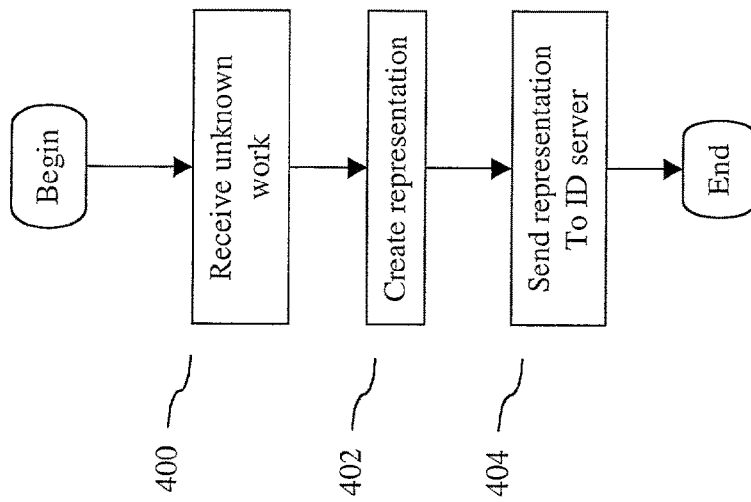


FIG. 4

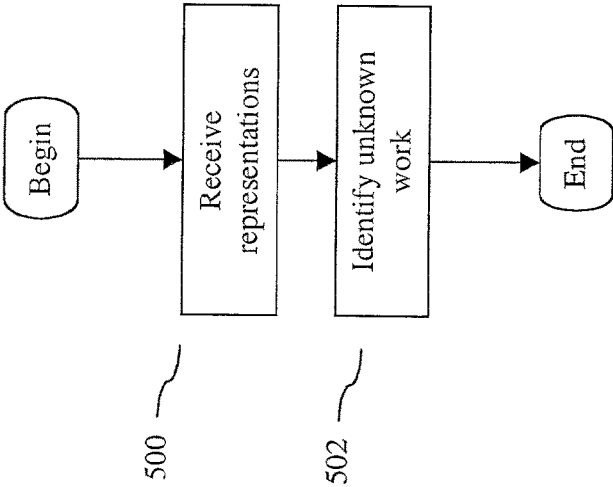


FIG. 5

PLAY LIST GENERATION METHOD AND APPARATUS

RELATED APPLICATIONS

This application is a continuation application of pending U.S. patent application Ser. No. 09/910,680 filed on Jul. 20, 2001, which is incorporated by reference herein.

FIELD OF THE DISCLOSURE

The present disclosure relates to data communications, and, in particular, to a novel system and apparatus for the automatic generation of media playlists.

BACKGROUND

One application of the Internet that has received considerable attention is the ability to transmit or stream media content over the Internet. Once an audio or video work has been digitally encoded it may be both downloaded by users for play, or broadcast ("streamed") over the Internet. When works are streamed, they may be listened to or viewed by Internet users in a manner much like traditional radio and television stations.

Given the widespread use of digital media, audio works, or video works may need to be identified. The need for identification of works may arise in a variety of situations. For example, an artist may wish to verify royalty payments or generate their own Arbitron®-like ratings by identifying how often their works are being streamed or downloaded. Thus, play lists of media may need to be generated. The prior art has made efforts to create methods for identifying digital works and generating playlists.

As is known by those skilled in the art, a playlist is the documentation of the performance of one or more works at a particular time over a particular media.

FIG. 1 shows a play list generation system **100** of the prior art. The system **100** may include one or more remote detection modules **102** deployed at various locations throughout a broadcast area. Each detection module **102** may include an antenna **104** for receiving broadcast signals and providing the signals to an analysis and lookup module **106**. The module **106** is typically configured to identify the content of the received signal by comparing its audio content against a database **108** of known reference signatures.

If a match is made, typically the module **102** will keep a record of all matches made during a predetermined period of time on the database **108**. For example, the module **102** may keep a record of song titles detected during a 24-hour period.

The system **100** may further include a playlist server **110** having a processor **112** and database **114**. The server **110** is typically configured to receive information such as the titles of identified songs from the one or more detection modules **102** through a network such as the Internet **109** and generate a playlist which may be stored on database **114**.

The system **100** of the prior art in operation typically requires the identity of an unknown work to be determined by the individual detection modules. The playlist server **110** is typically only configured to receive and compile identities of works from the modules **102** into a play list.

SUMMARY

A playlist generation system is disclosed in embodiments. In one aspect, the system may include at least one analysis module for receiving and analyzing an unknown work and

generating a corresponding representation thereof, and at least one identification (ID) server for receiving the representation from the at least one analysis modules and determining the identity of the unknown work.

The system may receive unknown works from networked sources or broadcast sources, or directly from the source prior to the work being provided to a network or broadcast source. The analysis modules and ID servers may be coupled over a network, such as the Internet.

The representations and identification may be based upon feature vectors, a spectral representation of the unknown work, the text output of a speech recognition system, musical score produced by a music transcription system, or a bit calculated key method, such as MDS hash, as are known in the art.

The system analysis modules may receive a plurality of streaming sources for analysis at a single location, or from a plurality of streaming sources for analysis at a plurality of access points of the network.

The system provides representations in approximately real time, and the system may generate a playlist of identified works. The ID server may generate a playlist of identified works received from different access points of the network in approximately real time.

Various methods for generating a playlist are also disclosed.

BRIEF DESCRIPTION OF THE DRAWINGS

FIG. 1 is a prior art diagram of a system.

FIG. 2 is a block diagram of one aspect of a disclosed system including one or more analysis modules and ID servers.

FIG. 3 is a block diagram of one aspect of an analysis module.

FIG. 4 is a flowchart of one aspect of a disclosed system.

FIG. 5 is a flowchart of one aspect of a disclosed system.

DETAILED DESCRIPTION

Persons of ordinary skill in the art will realize that the following description is illustrative only and not in any way limiting. Other modifications and improvements will readily suggest themselves to such skilled persons having the benefit of this disclosure.

This disclosure may relate to data communications. Various disclosed aspects may be embodied in various computer and machine readable data structures. Furthermore, it is contemplated that data structures embodying the teachings of the disclosure may be transmitted across computer and machine readable media, and through communications systems by use of standard protocols such as those used to enable the Internet and other computer networking standards.

The disclosure may relate to machine readable media on which are stored various aspects of the disclosure. It is contemplated that any media suitable for retrieving instructions is within the scope of the present disclosure. By way of example, such media may take the form of magnetic, optical, or semiconductor media.

Various aspects of the disclosure may be described through the use of flowcharts. Often, a single instance of an aspect of the present disclosure may be shown. As is appreciated by those of ordinary skill in the art, however, the protocols, processes, and procedures described herein may be repeated continuously or as often as necessary to satisfy the needs described herein. Accordingly, the representation

of various aspects of the present disclosure through the use of flowcharts should not be used to limit the scope of the present disclosure.

Exemplary Structure

FIG. 2 is a schematic diagram of one aspect of a disclosed play list generation system **200**. The system **200** may include at least one analysis module **202** for receiving an unknown work from a broadcast source **204** as is known in the art. The analysis module may include one or more conventional antennae **214** coupled to the analysis module **202** through an input port **210**. The input port **210** may include a conventional receiver for the reception of desired broadcast signals. The input port **210** may also be configured to provide remote control functionality for allowing the remote control and configuration of the receiver, such as providing for remote tuning. The input port **210** may be further configured to digitize received signals in digital formats using protocols known in the art, such as PCM.

The analysis module **202** may also be configured to receive an unknown work from one or more networked sources **206**. In one aspect of a disclosed system, the input port **210** of the analysis module **202** may be configured to monitor sources providing content in standard formats such as Real®, 5 QuickTime®, Windows Media®, MP3®, and similar formats, using hardware and software as is known in the art.

In another aspect of a disclosed system, the input port **210** may be configured to directly receive audio or video through any of the various means known in the art, such as a microphone or video acquisition system. These unknown works may also be provided in standard formats such as MP3, Windows Media, and similar formats. Thus, the analysis module **202** may be configured to receive an unknown work prior to the unknown work being presented to the broadcast system or network source. It is envisioned that this presentation could occur almost simultaneously.

The input port **210** may be operatively coupled to a network **208** through which the source **206** may be accessed. The network **208** may comprise any packet- or frame-based network known in the art, such as the Internet. The input port **210** may also be configured to access the network **208** through any means known in the art, such as through traditional copper connections. Furthermore, the input port **210** may also be configured to access the network **208** using wireless connectivity methods as known in the art, including low-power broadband methods such as Bluetooth®, or cellular-based access methods such as those used to provide wireless connectivity to cellular phones and personal digital assistants (PDAs).

The analysis module **202** may also include an output port **212** for providing connectivity to the network **208**. The output port **212** may comprise a separate unit within the analysis module **202** and may include hardware and software to provide the same functionality as the input port **210**. Additionally, it is contemplated that the output port **212** may comprise substantially the same circuitry as the input port **210** in order to save space and cost.

Referring now to FIG. 3, a conceptual block diagram of one aspect of a disclosed analysis module **202** is shown. The analysis module **202** may include a processor **302** for operating various aspects of the present disclosure. The processor **302** may be operatively disposed between the input port **210** and output port **212**.

It is contemplated that any processor known in the art may be employed in the module **202**, and the choice of a processor may depend on the application. For example, if the module **202** is embodied in a personal computer, the

processor **202** may comprise a microprocessor capable of running conventional operating systems such as Microsoft Windows®, while if the module **202** is deployed in a mobile unit such as a PDA, the processor **202** may need only be capable of running an operating system such as Palm OS®, or other embedded systems such as may be present in a cell phone or other consumer device.

The module **202** may include ancillary hardware and software, such as conventional memory **304** and a conventional database **306** for the storage and retrieval of various aspects of the disclosed system and data.

The module **202** may be configured to generate a representation of an unknown work which may then be used by the system to identify the unknown work. It is contemplated that a wide variety of methods may be used by the analysis module **202** to generate the representation. The analysis module may be configured to generate a representation of the unknown work using the psychoacoustic properties of the audio content of the unknown work. Such methods are known in the art. For example, the analysis module may generate feature vectors as disclosed in U.S. Pat. No. 5,918,223 to Blum, et al., which is assigned to the same assignee of the present disclosure and incorporated by reference as though fully set forth herein.

Additionally, the module **202** may use audio or video spectral or wavelet representation techniques as are known in the art. For example, other representation forms may comprise the text output of a speech recognition system, text output of a close captioned transmission, or a musical score produced by a music transcription system. In another embodiment, the representation may comprise a bit calculated key using any of the techniques as are known in the art such as MD5 hash and CRC. It is contemplated that a wide variety of analysis methods may be employed singly or in combination advantageously in the present disclosure.

Referring back to FIG. 2, the system **200** may further include at least one identification (ID) server **220** for identifying an unknown work. The ID server **220** may identify an unknown work using a representation received from the analysis module **202** through network **208**. Though FIG. 2 shows the ID server **220** coupled to the same network **208** as the analysis module **202**, it is to be understood that the various components of the present disclosure may be coupled to different networks at different times.

The ID server **220** may comprise a computer suitable for running an operating system such as Microsoft Windows®, UNIX®, LINUX®, MAC OS®, and the like. The ID server **220** may include a conventional processor **222** for operation of the server. The ID server may further include associated hardware and software known in the art such as a conventional database **224** for storing embodiments of the disclosure or data.

It is contemplated that the ID server **220** may be configured to identify the unknown work using a variety of methods known in the art. The method for identification may correspond to the method(s) used to generate the representation within the analysis module. For example, the ID server **220** may be configured to perform identification using the methods disclosed in U.S. Pat. No. 5,918,223 to Blum, et al, if the representation were generated using corresponding methods.

Another example would be the pure spectral representations as are known in the art. It is envisioned that other representations such as wavelets may be used. The invention could also identify the unknown work from the speech

recognized text compared against a database of song lyrics using any of a variety of methods known to those skilled in the art.

Yet another example would be any of a number of search techniques as are known in the art when the representation is a bit calculated key.

The system may also identify the unknown work by searching a collection of musical works for musical note sequences that correspond to the musical score the representation.

In another configuration the system may use a combination of identification techniques, each of which correspond to a representation of the unknown work. By using several identification techniques, the chance of a misidentification may be greatly reduced.

Though the analysis module and ID server are shown as being located separately, it is contemplated that they also may be co-located in a single server. For example, it is contemplated that the analysis module and ID server may each be embodied in a single board computer wherein the analysis module and ID server are housed in a single unit and operatively coupled through a common backplane.

Exemplary Operation

FIG. 4 is a flowchart of one aspect of a disclosed method for automatically generating a playlist. The process begins in act 400, where at least one unknown is received by an analysis module. The analysis module may comprise hardware and software substantially as shown and described above.

Additionally, one or more of the analysis modules may be configured to receive a plurality of streaming sources simultaneously for analysis. It is contemplated that the analysis modules may be located and configured to receive and analyze a wide variety of content, including analog radio or video, digital streaming audio or video, or any other media.

In act 402, the analysis module then creates a representation of the received unknown work as shown and described above. The representation may be created by the analysis module by extracting psychoacoustic properties from the received unknown work as described above.

In act 404, the representations created by the one or more analysis modules may be provided to an ID server. The ID server may comprise hardware and software as described above. It is contemplated that the ID server may comprise a single server, multiple servers networked at a single location, or multiple servers located at different locations.

It is contemplated that the various analysis modules may provide representations to one or more ID servers in a wide variety of manners. For example, all of the analysis modules present in a system may provide representations in real-time. Or, different analysis modules may be configured to provide representations at different intervals depending on the needs of the end user. The analysis modules may transmit representations every sixty seconds, hourly, or as often as is needed.

In some cases where network connectivity is challenging, the representations may be batched up and sent to the ID server(s) once a day or less. In particularly harsh or secretive conditions, the representations may be stored within the analysis modules until the modules could be physically retrieved and operatively coupled to an ID server at another physical location.

It is contemplated that an out-of-band event may be used to trigger the transmission of representations. For example, such a trigger may comprise the initialization of a connection to a network, or the activation of media playing software or hardware.

FIG. 5 is a flowchart of a further disclosed aspect of a disclosed method. The process begins with act 500, where an ID server receives at least one representation of an unknown work. The representations may be received from analysis modules as described above.

In act 502, the ID server identifies the unknown work based upon the representation. This identification may be performed using the methods as described above. The identification may include such information as the song title, artist, label, or any other information as is known in the art that may be associated with the work. The identification information might contain information such as the name of the advertiser or a descriptive notation of an FCC broadcaster identification segment.

Once an identification of the unknown work is made, it is contemplated that a wide variety of further acts may be performed. For example, the identifications made by the ID server may be used to construct or maintain a 15 play list database. Such a playlist may be stored on the ID server, or on a distant server. As will be appreciated by those skilled in the art, if representations are provided to the ID server in real-time (or near real-time depending on the equipment or network used), a play list may be generated in corresponding realtime. Thus, a playlist may be generated in real-time from inputs provided from distant geographic locations or multiple sources that contains a comprehensive play list of every identified media segment.

Additionally, the identification may be transmitted back to the analysis module which generated the representation. This may be advantageous where it is desired to generate a playlist for the particular analysis module's location or user. Thus, the ID server may be configured to provide an identification back to the source analysis module.

The identity of the received work may also be used for the maintenance of the system. Typically, copies of received works are stored on local drives for audit purposes. Since the intermediate representation files may be larger in size than the identities, it may be desirable to configure the analysis module to purge intermediate files for identified works to recover drive space. It is contemplated that the ID server may be configured to transmit the identity of received works back to the generating analysis module, and the corresponding representation files may then be deleted from local drives by the analysis module, thereby recovering valuable capacity.

Furthermore, it is contemplated that the ID server or analysis module may be configured to send information regarding identified works to third parties, such as third-party servers. Additionally, the ID server or analysis module may be configured to provide an electronic notification to third parties of identifications made by the ID server. Examples of electronic notifications may include email, HTTP POST transactions, or other electronic communication as is known in the art. As is known by those skilled in the art, these electronic notifications may be used to initiate an action based on their content. For example, such notifications may allow the playlist to be accessed in real-time or as desired.

It is contemplated that the ID server may be configured to provide customized playlists containing information tailored to a customer's individual needs. For example, a customer may wish to be notified whenever a certain work is broadcast, or whether a particular work is broadcast on a particular media outlet. Customers may wish to have complete play lists provided to them periodically at desired intervals that may include statistics known in the art. By using the system as disclosed herein, such requests may be satisfied automati-

cally in real-time, or at whatever interval may be desired. It is to be understood that any of the aspects of the present disclosure may be performed in real time or as often as desired.

In some embodiments of this invention the received data may be divided into segments. For purposes of this discussion a segment is an arbitrary portion of the data of the unknown work of a predetermined length. It is contemplated that the ID server may examine the representations of all segments that were not identified in the process described above, and determine that some sub-segments were actually performances of a single work. Furthermore, this examination may extract a plurality of other characteristics of the original broadcast such as the amount of musical content, amount of speech content, a transcription based on speech recognition, the beat of any music present, etc. These characteristics of the un-identified segments can then be used to classify the un-identified unknown representations. For instance, a sub-segment that has been performed many times may be correlated with a high amount of musical content and a certain minimum length of play time to indicate that a new song has been detected. Correlating other values and characteristics could indicate that a new advertisement has been detected. In some cases a corresponding segment of the original broadcast signal could be retrieved and played for a human to perform an identification.

While embodiments and applications have been shown and described/it would be apparent to those skilled in the art that many more modifications and improvements than mentioned above are possible without departing from the inventive concepts herein. The disclosure, therefore, is not to be restricted except in the spirit of the appended claims.

What is claimed is:

1. A method comprising:

receiving, by a processor, a plurality of segment representations generated from a plurality of segments of a portion of audio data of a broadcast signal over a network, wherein the portion of audio data comprises a plurality of unknown works, and wherein the plurality of segments comprise portions of the plurality of unknown works;

identifying, by the processor, the plurality of unknown works based on identifying one or more segment representations of the plurality of segment representations that correspond to one or more segments of a plurality of reference works;

in view of the identifying, generating, by the processor, separate lists each representing a different identified work and not any other work, wherein the separate lists comprise a first list for a first identified work and a second list for a second identified work, the first list identifying broadcast instances of only the first identified work and the second list identifying broadcast instances of only the second identified work;

in view of the identifying, updating, by the processor, the first list by adding one or more first broadcast instances of the first identified work to the first list, wherein each of the one or more first broadcast instances represents when the first identified work was broadcast via the broadcast signal over the network; and

in view of the identifying, updating the second list by adding one or more second broadcast instances of the second identified work to the second list, wherein each of the one or more second broadcast instances represents when the second identified work was broadcast

via the broadcast signal over the network, and wherein the second broadcast instances are different from the first broadcast instances;

outputting identification of the one or more segment representations that correspond to the one or more segments of the plurality of reference works responsive to identifying the one or more segment representations that correspond to the one or more segments of the plurality of reference works to enable a remote device to purge the one or more segment representations that correspond to the one or more segments of the plurality of reference works.

2. The method of claim 1, wherein the plurality of segment representations comprise at least one of feature vectors, spectral representations, text output of a speech recognition system, a musical score output of a music transcription system, or bit calculated keys.

3. The method of claim 1, wherein the plurality of segment representations are received as a batch at a predetermined time interval.

4. The method of claim 1, wherein updating the first list comprises updating the first list with the identification of the one or more segment representations that correspond to the one or more segments of the plurality of reference works responsive to identifying a first broadcast instance of the first identified work.

5. The method of claim 1, wherein the portion of audio data comprises unknown portions of the plurality of unknown works with unknown boundaries between the plurality of unknown works.

6. The method of claim 1, wherein the plurality of segment representations are received from a plurality of remote devices.

7. The method of claim 1, wherein the plurality of segment representations are received and the first list and the second list are updated in near real-time.

8. The method of claim 1, wherein the plurality of segment representations are received and the first list and the second list are updated in real-time.

9. The method of claim 1, wherein the plurality of segment representations are received from one or more remote devices, the method further comprising:

transmitting information regarding the identified works to a third party server.

10. A system comprising:

a first computing device comprising a memory, a processor coupled to the memory, and an identification server executed from the memory by the processor to:

receive a plurality of segment representations generated from a plurality of segments of a portion of audio data of a broadcast signal over a network, wherein the portion of audio data comprises a plurality of unknown works, and wherein the plurality of segments comprise portions of the plurality of unknown works;

identify the plurality of unknown works based on identifying one or more segment representations of the plurality of segment representations that correspond to one or more segments of a plurality of reference works;

in view of the identifying, generate separate lists each representing a different identified work and not any other work, wherein the separate lists comprise a first list for a first identified work and a second list for a second identified work, the first list identifying broadcast instances of only the first identified work

and the second list identifying broadcast instances of only the second identified work;

in view of the identifying, update the first list by adding one or more first broadcast instances of the first identified work to the first list, wherein each of the one or more first broadcast instances represents when the first identified work was broadcast via the broadcast signal over the network;

in view of identifying, update the second list by adding one or more second broadcast instances of the second identified work to the second list, wherein each of the one or more second broadcast instances represents when the second identified work was broadcast via the broadcast signal over the network, and wherein the second broadcast instances are different from the first broadcast instances;

output identification of the one or more segment representations that correspond to the one or more segments of the plurality of reference works responsive to identifying the one or more segment representations that correspond to the one or more segments of the plurality of reference works to enable a remote device to purge the one or more segment representations that correspond to the one or more segments of the plurality of reference works.

11. The system of claim 10, wherein the plurality of segment representations comprise at least one of feature vectors, spectral representations, text output of a speech recognition system, a musical score output of a music transcription system, or bit calculated keys.

12. The system of claim 10, wherein the portion of audio data comprises unknown portions of the plurality of unknown works with unknown boundaries between the plurality of unknown works.

13. The system of claim 10, further comprising a second computing device, networked to the first computing device, the second computing device to: receive the portion of audio data of a broadcast signal; generate the plurality of segment representations from the portion of audio data; and transmit the plurality of segment representations over the network to the first computing device.

14. A non-transitory computer readable medium comprising instructions that, when executed by a processor, cause the processor to perform operations comprising: receiving, by the processor, a plurality of segment representations generated from a plurality of segments of a portion of audio data of a broadcast signal over a network, wherein the portion of audio data comprises a plurality of unknown works, and wherein the plurality of segments comprise portions of the plurality of unknown works;

identifying, by the processor, the plurality of unknown works based on identifying one or more segment representations of the plurality of segment representations that correspond to one or more segments of a plurality of reference works;

in view of the identifying, generating, by the processor, separate lists each representing a different identified work and not any other work, wherein the separate lists comprise a first list for a first identified work and a second list for a second identified work, the first list identifying broadcast instances of only the first identified work and the second list identifying broadcast instances of only the second identified work;

in view of the identifying, updating, by the processor, the first list by adding one or more first broadcast instances of the first identified work to the first list, wherein each of the one or more first broadcast instances represents when the first identified work was broadcast via the broadcast signal over the network;

in view of identifying, updating the second list by adding one or more second broadcast instances of the second identified work to the second list, wherein each of the one or more second broadcast instances represents when the second identified work was broadcast via the broadcast signal over the network, and wherein the second broadcast instances are different from the first broadcast instances; and

outputting identification of the one or more segment representations that correspond to the one or more segments of the plurality of reference works responsive to identifying the one or more segment representations that correspond to the one or more segments of the plurality of reference works to enable a remote device to purge the one or more segment representations that correspond to the one or more segments of the plurality of reference works.

15. The non-transitory computer readable medium of claim 14, wherein the plurality of segment representations comprise at least one of feature vectors, spectral representations, text output of a speech recognition system, a musical score output of a music transcription system, or bit calculated keys.

16. The non-transitory computer readable medium of claim 14, wherein the portion of audio data comprises unknown portions of the plurality of unknown works with unknown boundaries between the plurality of unknown works.

17. The non-transitory computer readable medium of claim 14, wherein the plurality of segment representations are received from a plurality of remote devices in near-real time, and wherein the first list and the second list are updated in near real-time.

* * * * *